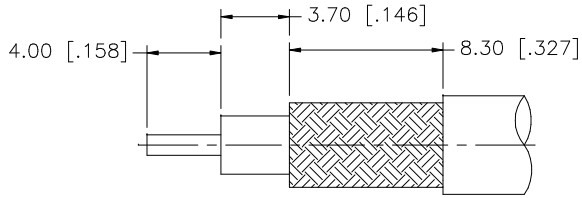
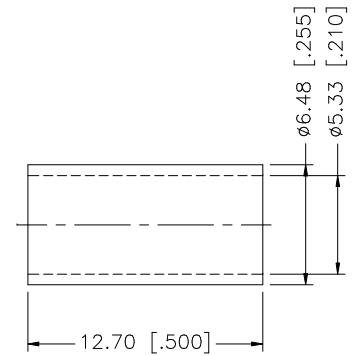
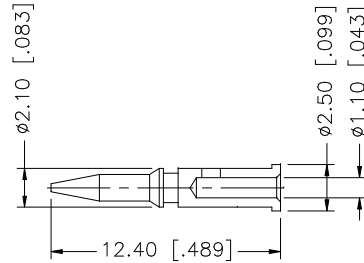
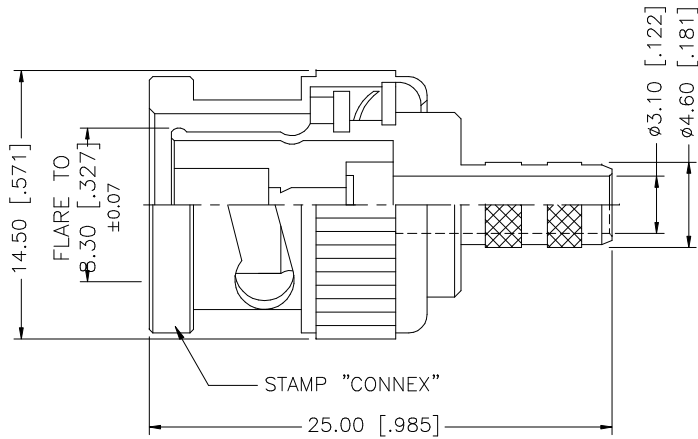


REV.	DATE	DESCRIPTION
A	04/04/03	UPDATE DRAWING FORMAT



RECOMMENDED  
CABLE STRIPPING DIMS.



8				<p>UNLESS OTHERWISE SPECIFIED DIMENSIONS ARE IN MILLIMETERS. DIMENSIONS IN [ ] ARE IN INCHES AND FOR CUSTOMER REFERENCE ONLY.</p> <p>UNLESS OTHERWISE SPECIFIED TOLERANCES FOR MILLIMETERS ARE:  0.5 - 8mm ± 0.20mm  8 - 30mm ± 0.40mm  30 - 120mm ± 0.50mm</p> <p>UNLESS OTHERWISE SPECIFIED TOLERANCES FOR INCHES ARE:  .020 - .315 = ± 0.007"  .315 - 1.180 = ± 0.015"  1.180 - 4.724 = ± 0.020"</p> <p>DO NOT SCALE DRAWING</p>	APPROVALS	DATE	<h1 style="color: blue;">Amphenol Connex</h1>			
7			DRAWN		G.R.S.	04/04/03				
6			CHECKED							
5			ISSUED							
4	FERRULE	COPPER	NICKEL		1	PART DESCRIPTION		<p><b>BNC CRIMP PLUG (FOR RG-58C/U CABLE)</b></p>		
3	CONTACT PIN	BRASS	GOLD		1	PART NO.				
2	INSULATOR	DELIN	NATURAL		1	112116				
1	SHELL/BODY	BRASS	NICKEL		1	DWG. NO.		112116.DWG		
	DESCRIPTION	MATERIAL	FINISH	QTY	CAD FILE		C:/112/112116.DWG			
					REV.	A	SIZE	A	SCALE	NA